

Nitto Kohki
RIGHT ANGLE GRINDERS



MAG-25B Right Angle Grinder

- Ultra compact and lightweight design
- Ideal for grinding in space restricted areas
- Uses standard 2" depressed center wheels
- Variable speed control
- Insulated handle for operator convenience and comfort
- Locking throttle lever helps prevent accidental start-up
- Side exhaust with silencer for quiet operation

Specifications

Model	MAG-25B
Air Pressure	85 psi
Air Consumption	14.1 CFM
Free Speed	22,000 RPM
Standard Wheel Requirement	2" depressed center
Hose Size Requirement	3/8" ID
Dimension	5" x 2-9/16"
Weight	1.2 lbs.
Spindle Size	3/8"
Horsepower	1/4 hp

Additional Accessories

5mm allen wrench, spanner, abrasive wheel AC#80 threaded adapter PT1/4" x NPT1/4"

Acorn Industrial Products Co

520 Hertzog Boulevard | King of Prussia, PA 19406

Phone 800-523-5474 | Fax 800-782-6780

E-Mail acorn@acornindprod.com | Web acornindprod.com



MAGW-40 Right Angle Grinder

- Ideal for fast and efficient material removal
- Uses standard 4" OD wheels with 5/8" mounting hub
- Powerful 3/4 hp motor for maximum grinding performance
- Insulated handle for operator convenience and comfort
- Suitable for industrial and production applications
- Variable speed control
- Locking throttle lever helps prevent accidental start-up operation

Specifications

Model	MAGW-40
Air Pressure	85 psi
Air Consumption	24.1 CFM
Free Speed	13,000 RPM
Standard Wheel Requirement	4" depressed center
Hose Size Requirement	3/8" ID
Dimension	7-5/16" x 3-3/4"
Weight	3.3 lbs.
Spindle Size	5/8"
Horsepower	3/4 hp

Additional Accessories

6mm allen wrench, spanner, threaded adapter PT3/8" x NPT3/8"

Nitto Kohki RIGHT ANGLE GRINDERS



MAG-45 / 50 Right Angle Grinders

- Powerful 1 horsepower motor with built-in governor
- Uses standard 4-1/2" wheels with 5/8-11 threaded hub
- Built-in spindle lock for quick and easy wheel installation and removal
- Reversible side handle for right or left-hand operation
- Locking throttle lever helps prevent accidental start-up
- Rear exhaust system
- Insulated housing for operator convenience and comfort

Specifications

Model	MAG-45	MAG-50
Air Pressure	85 psi	85 psi
Air Consumption (no load)	30.7 CFM	30.7 FM
Free Speed	12,000 RPM	12,000 RPM
Hose Size Requirement	3/8" ID	3/8" ID
Weight	4.85 lbs.	4.85 lbs.
Wheel Diameter	4-1/2" max.	5" max.
Spindle Size	5/8"-11 threaded	7/8" OD
Horsepower	1 hp	1 hp
Accessories Included	air hose sub ass'y, exhaust hose, side handle ass'y, 4mm allen wrench, pin face wrench, threaded adapter PT3/8" x NPT3/8" air hose sub ass'y, exhaust hose, side handle ass'y, 4mm allen wrench, pin face wrench, threaded adapter PT3/8" x NPT3/8"	
Optional Accessories		5/8"-11 spindle

Acorn Industrial Products Co

520 Hertzog Boulevard | King of Prussia, PA 19406

Phone 800-523-5474 | Fax 800-782-6780

E-Mail acorn@acornindprod.com | Web acornindprod.com



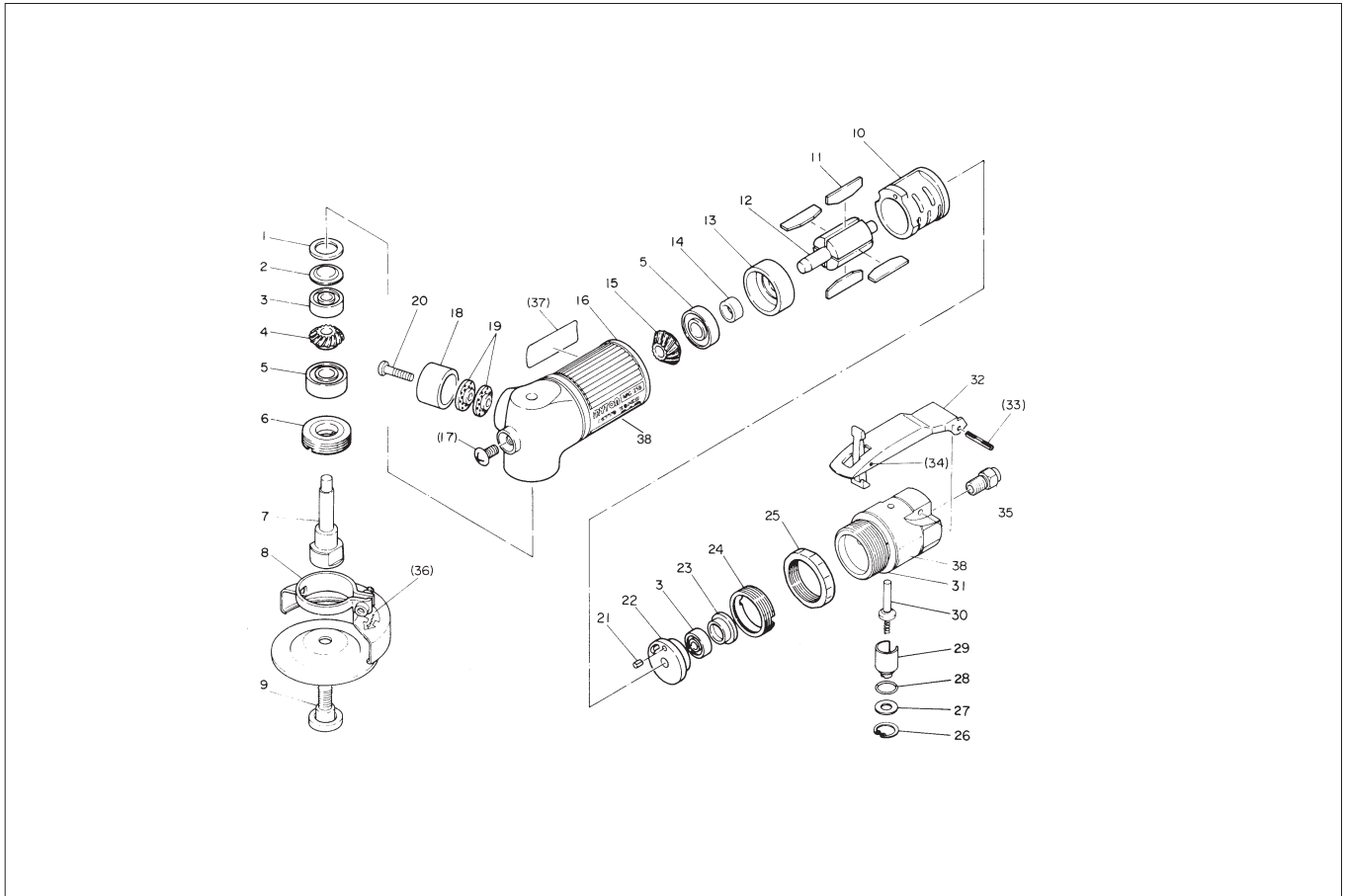
MAG-70 Right Angle Grinder

- Powerful 1-1/2 horsepower motor delivers maximum grinding performance
- Ideal for industrial and production grinding applications
- Available with threaded 5/8-11 spindle or 7/8" OD mounting hub
- Locking throttle lever helps prevent accidental start-up
- Uses standard 7" diameter wheels
- Variable speed control

Specifications

Model	MAG-70
Air Pressure	85 psi
Air Consumption	14.1 CFM
Free Speed	22,000 RPM
Hose Size Requirement	3/8" ID
Dimension	5" x 2-9/16"
Weight	1.2 lbs.
Wheel Diameter	
Spindle Size	3/8"
Horsepower	1/4 hp
Accessories Included	6 mm & 10mm allen wrench, spanner, Threaded adapter PT1/2" x NPT1/2"
Optional Accessories	5/8-11 spindle

MYTON MAG-25B ASSEMBLY AND PARTS LIST



The part numbers with () are included in the Ass'y parts written above them.

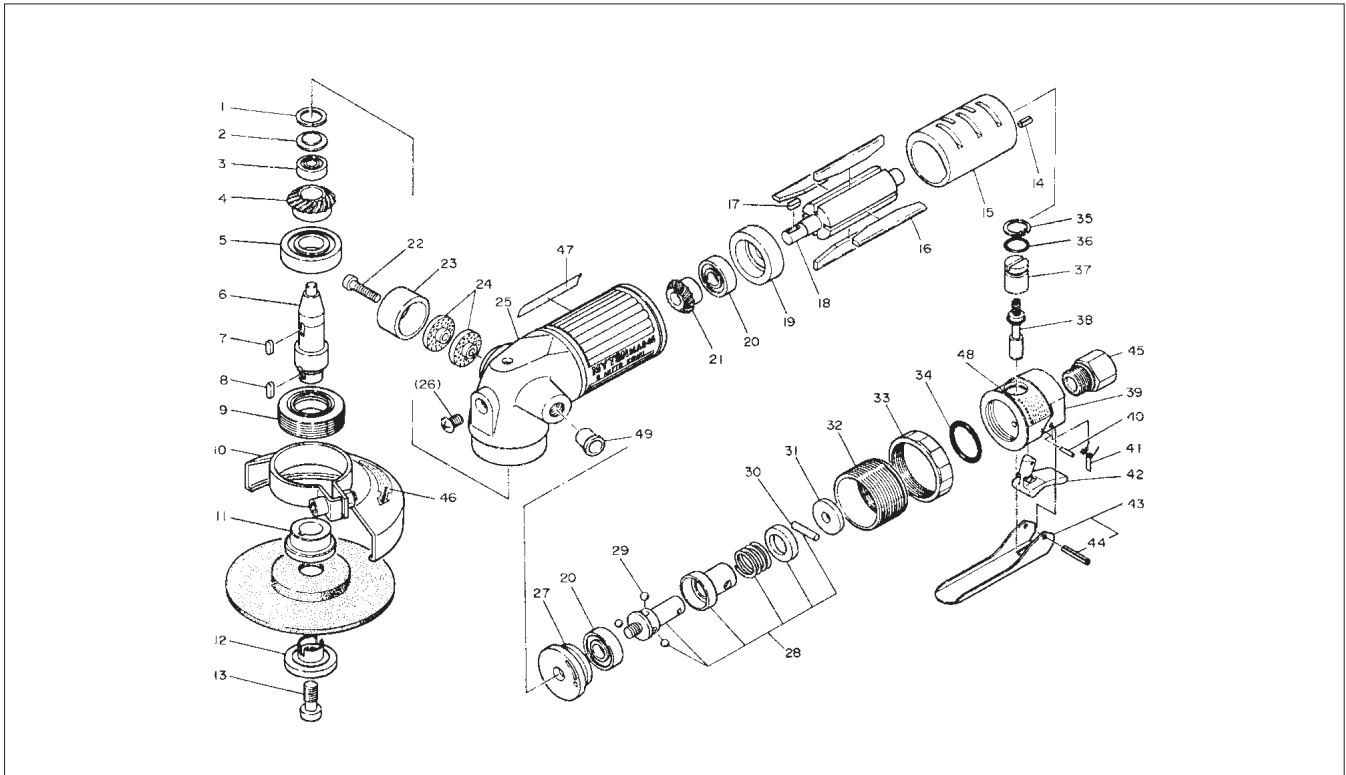
No.	Part No.	Part Name	Q'ty	Price
1	TP10826	Packing	1	
2	TP10100	Bearing Cover	1	
3	TP03933	Ball Bearing R-1760 ZZ	2	
4	TP14225	Gear	1	
5	TP00468	Ball Bearing 608Z	2	
6	TA98808	Bearing Set Screw Ass'y	1 set	
7	TP17961	Spindle	1	
8	TA9A874	Wheel Guard Ass'y	1 set	
36	(TQ02362)	Warning Label for Wheel Guard	1	
9	TP17962	Disk Lock	1	
10	TP14222	Cylinder	1	
11	TA9A295	Blades (4 pcs/set)	1 set	
12	TP14224	Rotor	1	
13	TP14931	End Plate B	1	
14	TP06322	Spacer 8 X 11 X 3	1	
15	TP14221	Pinion	1	
16	TB01216	Housing Sub Ass'y	1 set	
37	(TQ02207)	Label CE-Mark	1	
17	(TP06715)	+ Screw 5 X 8	1	
18	TP14227	Exhaust Cover	1	
19	TP14228	Exhaust Plate	2	
20	TP15164	+ Screw 4 X 6	1	
21	TP00496	Spring Pin 2.5 X 6	1	
22	TP10109	End Plate A	1	
23	TP10110	Cap	1	

No.	Part No.	Part Name	Q'ty	Price
24	TP10098	Lock Nut	1	
25	TP03468	Lock Ring	1	
26	TP03695	Retaining Ring	1	
27	TP06326	Spacer 6 X 12 X 1.2	1	
28	TP11997	O-Ring KS-7	1	
29	TP06325	Adjust Valve	1	
30	TA93070	Valve Stem Ass'y	1 set	
31	TP10118	Valve Body	1	
38	(TQ02380)	Warning Label – MAG-25B	1	
32	TB01152	Lever Ass'y	1 set	
33	(TP00460)	Spring Pin 3 X 22	1	
34	(TP05498)	Spring Pin 2 X 16	1	
38	TQ02351	Grip Tube	1	

ACCESSORIES

	TB00155	Grinding Disc AC #80 X 58	1	
	TP04004	Hex. Wrench Key 5	1	
	TP00475	Spanner 14	1	
35	TP02236	Reducer PT1/4 X NPT1/4	1	
	TQ02364	Instruction Manual	1	

MYTON MAGW-40 ASSEMBLY AND PARTS LIST



The part numbers with () are included in the Ass'y parts written above them.

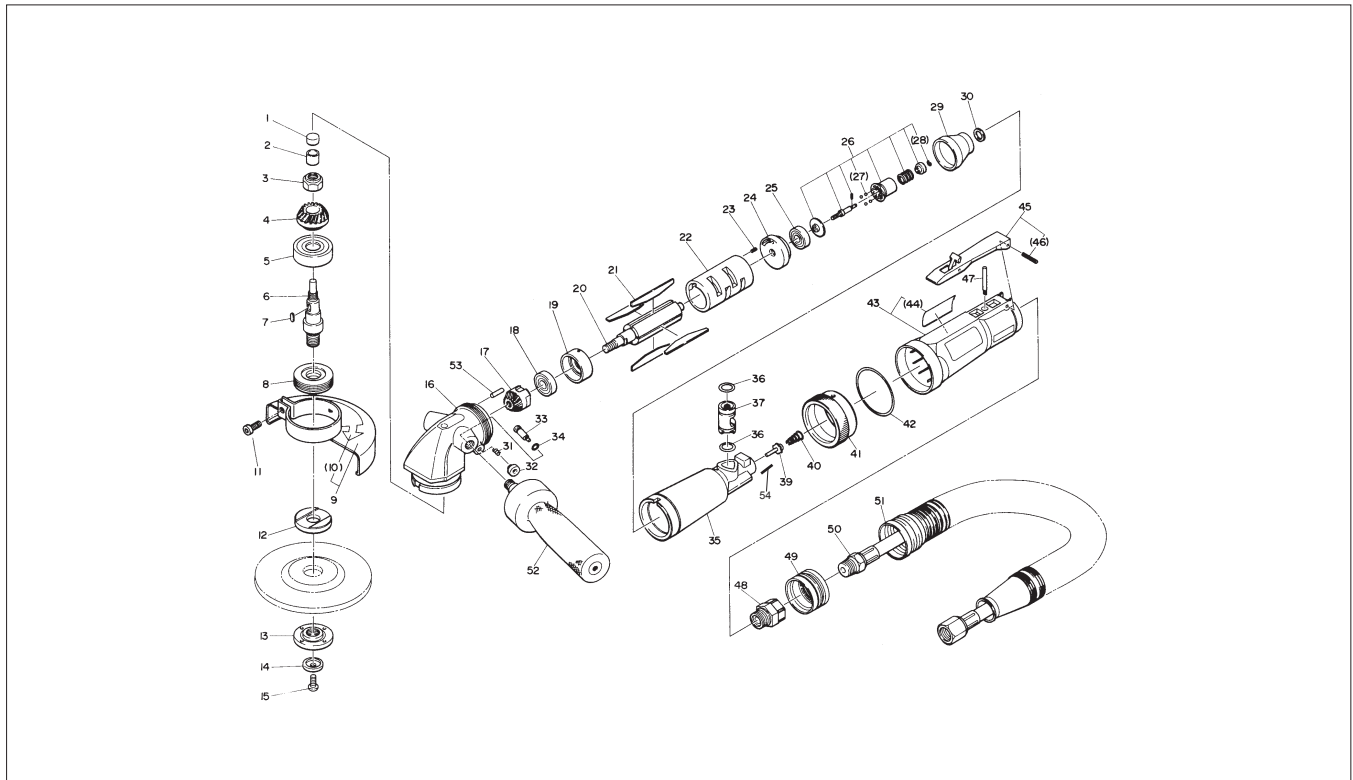
No.	Part No.	Part Name	Q'ty	Price
1	TP10826	Packing	1	
2	TP10100	Bearing Cover	1	
3	TP03933	Bearing R-1760 ZZ	1	
4	TP14036	Gear	1	
5	TP01609	Ball Bearing 6202Z	1	
6	TP14035	Spindle	1	
7	TP00502	Sunk Key 4 X 4 X 9.5	1	
8	TP09933	Sunk Key 4 X 4 X 12	1	
9	TA98634	Bearing Set Screw Ass'y	1 set	
10	TB01677	Wheel Guard Ass'y	1 set	
46	(TQ02357)	Warning Label for Wheel Guard	1	
11	TQ00774	Lock Plate	1	
12	TQ00775	Disk Lock 16	1	
13	TP09932	Hex. Bolt 8 X 20	1	
14	TP04061	Spring Pin 3 X 6	1	
15	TP14031	Cylinder	1	
16	TA9A294	Blades (4 pcs/set)	1 set	
17	TP10130	Sunk Key 3 X 3 X 10	1	
18	TP14033	Rotor	1	
19	TP14034	End Plate B	1	
20	TP10133	Ball Bearing 609 ZZ	2	
21	TP14030	Pinion	1	
22	LP08450	+ Screw 5 X 25	1	
23	TP14041	Exhaust Cover	1	
24	TP14040	Silencer Plate	2	
25	TB04979	Housing Ass'y	1 set	
47	(TQ02207)	Label CE-Mark	1	

No.	Part No.	Part Name	Q'ty	Price
26	(TP06715)	+ Screw 5 X 8	1	
49	LP30720	Plug 9	1	
27	TP10137	End Plate A	1	
28	TA98635	Governor Ass'y	1 set	
29	(CP01140)	Ball 7/32	4	
30	(TP07870)	Parallel Pin 3 X 15.8	1	
31	TP10149	Spring Washer MT-25	1	
32	TQ07319	Governor Adapter	1	
33	TQ07320	Rock Ring	1	
34	TP05531	O Ring S-36	1	
35	TP03473	Retaining Ring C-14	1	
36	TP11992	O Ring KS-9	1	
37	TP04394	Adjust Valve	1	
38	TB05591	Valve Stem Ass'y	1 set	
39	TB05592	Valve Body	1 set	
48	(TQ07316)	Warning Label	1	
40	TP09434	Spring Pin 2 X 12	1	
41	TP14340	Torsion Coil Spring	1	
42	TP14339	Lock Lever	1	
43	TB05590	Throttle Lever Ass'y	1 set	
44	(TP01921)	Spring Pin 3 X 18	1	
45	TQ02349	Reducer M16 X PT3/8	1	

ACCESSORIES

No.	Part No.	Part Name	Q'ty	Price
	TP00170	Hex. Wrench Key 6	1	
	TP00474	Spanner 17	1	
	TQ06601	Instruction Manual	1	

MYTON MAG-45 ASSEMBLY AND PARTS LIST



The part numbers with () are included in the Ass'y parts written above them.

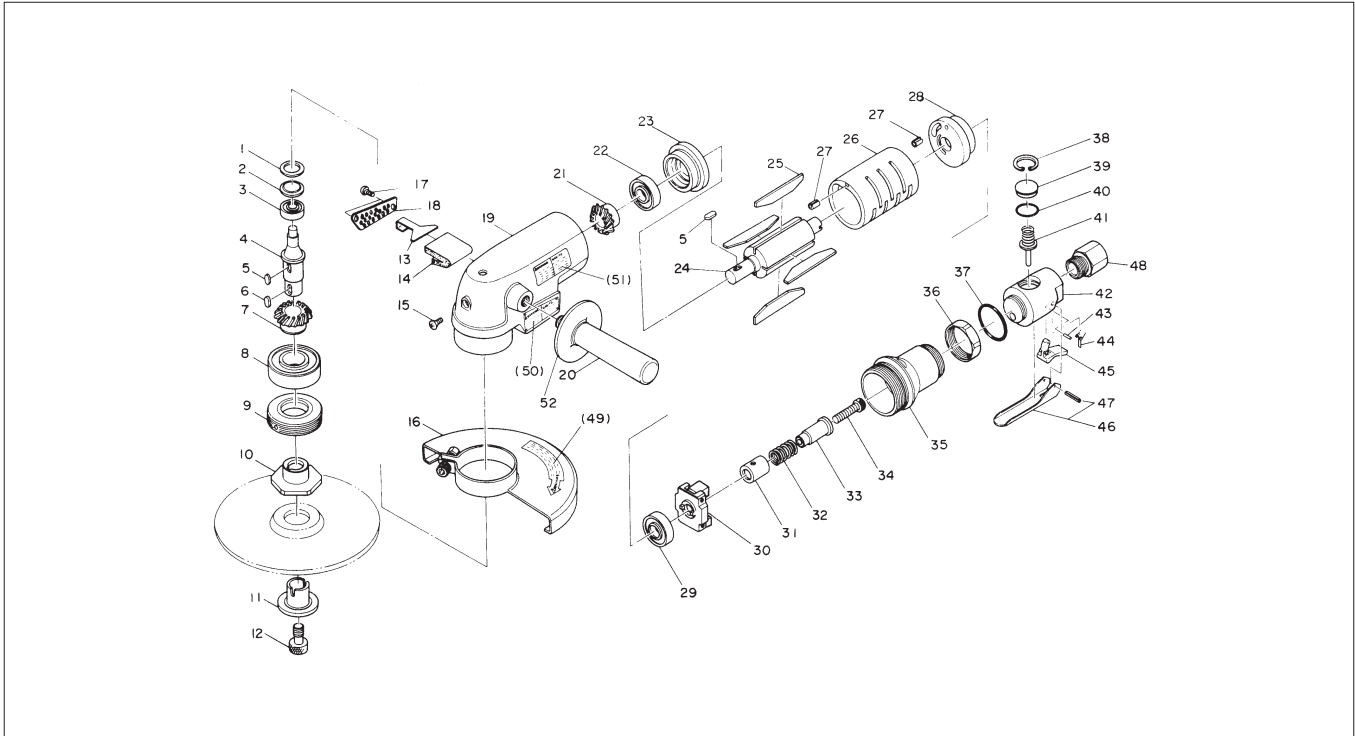
No.	Part No.	Part Name	Q'ty	Price
1	TQ04100	Bearing Cover	1	
2	TQ04099	Needle Bearing HK0810	1	
3	TQ04107	Hex. Nut M10 U Nut	1	
4	TQ04415	Gear 1.25 X 29	1	
5	TP04201	Ball Bearing 6302ZZ	1	
6	TQ04540	Spindle 5/8-11	1	
7	TQ04106	Parallel Key 4 X 4 X 8	1	
8	TB03202	Bearing Set Screw Ass'y	1 set	
9	TB03460	Wheel Guard Ass'y	1 set	
10	(TQ04544)	Warning Label for Wheel Guard	1	
11	(TP10953)	Hex. Socket Screw 6 X 18	1	
12	TQ04545	Driving Flange 22 X 5/8	1	
13	TQ04546	Outer Flange 22 X 5/8-11	1	
14	TQ04604	Washer 6.3 X 21 X 4.5	1	
15	TP16096	Hex. Screw 6 X 15	1	
16	TQ06043	Gear Head	1	
17	TQ04414	Pinion 1.25 X 19	1	
18	TP00498	Ball Bearing 6001ZZ	1	
19	TQ04091	End Plate B	1	
20	TQ04087	Rotor	1	
21	TB03297	Blade Ass'y (4 pcs/set)	1 set	
22	TQ04088	Cylinder	1	
23	TP04061	Spring Pin 3 X 6	1	
24	TQ04090	End Plate A	1	
25	TP00468	Ball Bearing 608Z	1	
26	TB03198	Governor Ass'y	1 set	
27	(CP01181)	Ball 5/32	4	
28	(TP14930)	Retaining Ring E ETW-2.3	1	
29	TQ04097	Governor Cover	1	
30	TQ04110	Washer 9 X 14 X 2.2	1	

No.	Part No.	Part Name	Q'ty	Price
31	TQ04103	Spring 0.6 X 8.3 X 13.75	1	
32	TQ04104	Lock Button	1	
33	TQ04101	Spindle Lock	1	
34	TQ04102	O-Ring SS-060	1	
35	TQ04109	Housing	1	
36	TP11998	O-Ring P-12	2	
37	TQ04111	Adjust Valve	1	
39	TB03205	Throttle Valve Ass'y	1 set	
40	CP00876	Valve Spring	1	
41	TQ04112	Lock Ring	1	
42	TP06625	O-Ring G-45	1	
43	TB03204	Grip Tube Ass'y	1 set	
44	(TQ04542)	Warning Label	1	
45	TB01388	Lever Ass'y	1 set	
46	(TP00460)	Spring Pin 3 X 22	1	
47	TQ04115	Throttle Pin	1	
48	TQ04119	Bushing M16 X RC3/8	1	
49	TQ04130	Exhaust Hose Mount	1	
51	TQ04129	Exhaust Hose	1	
53	TP12618	Parallel Pin 3 X 11.8	1	
54	TP01920	Spring Pin	1	

ACCESSORIES

No.	Part No.	Part Name	Q'ty	Price
50	TB03208	Air Hose Sub Ass'y	1 set	
	TB03209	Exhaust Hose Ass'y	1 set	
52	TB03216	Side Handle Ass'y	1 set	
	TP01939	Hex. Wrench Key 4	1	
	TQ04125	Pin Face Wrench	1	
	TQ02350	Bushing PT3/8 X NPT3/8	1	
	TQ02364	Instruction Manual	1	

MYTON MAG-70 ASSEMBLY AND PARTS LIST



The part numbers with () are included in the Ass'y parts written above them.

No.	Part No.	Part Name	Q'ty	Price
1	TP11687	Packing	1	
2	TP11685	Bearing Cover	1	
3	TP00468	Ball Bearing 608Z	1	
4	TP11708	Spindle	1	
5	TP00502	Sunk Key 4 X 4 X 9.5	2	
6	TP09933	Sunk Key 4 X 4 X 12	1	
7	TP11709	Gear	1	
8	TP11707	Ball Bearing 6304ZZ	1	
9	TA97016	Bearing Set Screw Ass'y	1 set	
10	TQ00772	Lock Plate	1	
11	TQ00771	Disk Lock	1	
12	TP11688	Hex. Bolt 12 X 25	1	
13	TP12260	Filter Support	1	
14	TP12261	Filter	1	
15	TP06715	+ Screw 5 X 8	1	
16	TB01700	Wheel Guard Ass'y	1 set	
49	(TQ02357)	Warning Label for Wheel Guard	1	
17	TP02618	+ Screw 4 X 8	2	
18	TP11691	Exhaust Cover	1	
19	TP11693	Housing	1	
50	(TQ02384)	Name Plate MAG-70	1	
51	(TQ02385)	Label CE-Mark	1	
20	TA90586	Side Handle Ass'y	1 set	
52	TQ02387	Grip Guard	1	
21	TP11694	Pinion	1	
22	TP11701	Ball Bearing 6201DU	1	
23	TP11700	End Plate B	1	
24	TP11697	Rotor	1	
25	TA9A292	Blades (4 pcs/set)	1 set	
26	TP11699	Cylinder	1	
27	TP04061	Spring Pin 3 X 6	2	

No.	Part No.	Part Name	Q'ty	Price
28	TP11696	End Plate A	1	
29	TP11695	Ball Bearing 6201Z	1	
30	TA97298	Base Ass'y	1 set	
31	TP11705	Sleeve	1	
32	TP11706	Spring 1.8 X 13.7 X 25.5	1	
33	TP11704	Sleeve Guide	1	
34	TP05648	Hex. Bolt 5 X 45	1	
35	TA9A765	Valve Holder Sub Ass'y	1 set	
36	TP17452	Lock Ring	1	
37	TP17445	O-Ring S-35.5	1	
38	TP10448	Retaining Ring C-24	1	
39	TP10444	Valve Cap	1	
40	TP10714	O-Ring S-22	1	
41	TA96331	Valve Stem Ass'y	1 set	
42	TP16235	Valve Body	1	
43	TP09434	Spring Pin 2 X 12	1	
44	TP14340	Torsion Coil Spring	1	
45	TP14339	Lock Lever	1	
46	TA96253	Throttle Lever Ass'y	1	
47	TP01921	Spring Pin 3 X 18	1	
48	TQ02414	*Reducer M70S*	1	

*TQ02414 and TQ02427 are to be used together

ACCESSORIES

	TP00170	Hex. Wrench Key 6	1	
	TQ02427	*Nipple M70S*	1	
	TP11723	Hex. Wrench Key 10	1	
	TP11724	Single Ended Spanner 41	1	
	TP14112	Spindle (5/8"-11")	1	
	TQ02364	Instruction Manual	1	